

Product data sheet

Specifications



Harmony, Mounting adaptor with panel mounting lugs, for RPM and RXM relay

RXZE2FA

Product availability: Non-Stock - Not normally stocked in distribution facility

Main

Range of Product	Harmony Electromechanical Relays
Product or Component Type	Mounting adaptor
Accessory / separate part category	Mounting accessories
Accessory / separate part designation	Mounting adaptor with fixing lugs for panel
Device short name	RXZ
Sale per indivisible quantity	10

Complementary

Product Destination	RPM relay RXM relay
Product compatibility	Plug-in relay RXM 2 C/O Plug-in relay RXM 3 C/O Plug-in relay RPM 2 C/O Plug-in relay RXM 4 C/O
Shape of pin	Flat
Net Weight	0.004 lb(US) (0.002 kg)
Group of product	RXM_RPM_2_C/O_PANEL

Ordering and shipping details

Category	US10CP221128
Discount Schedule	0CP2
GTIN	3389119404341
Returnability	No
Country of origin	CN

Packing Units

Unit Type of Package 1	PCE
Nbr. of units in pkg.	1
Package 1 Height	0.7 in (1.9 cm)
Package 1 Width	0.9 in (2.4 cm)
Package 1 Length	1.7 in (4.4 cm)
Package weight(Lbs)	0.2 oz (5.0 g)

Contractual warranty

Price is "List Price" and may be subject to a trade discount – check with your local distributor or retailer for actual price.



Environmental Data

Schneider Electric aims to achieve Net Zero status by 2050 through supply chain partnerships, lower impact materials, and circularity via our ongoing “Use Better, Use Longer, Use Again” campaign to extend product lifetimes and recyclability.

[Environmental Data explained >](#)

[How we assess product sustainability >](#)

Use Longer



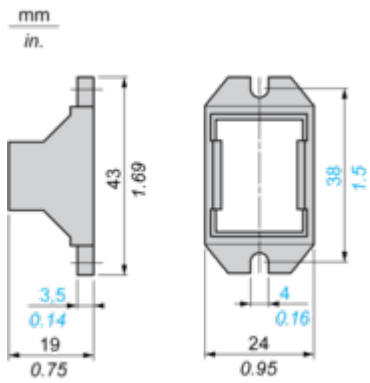
Lifetime extension

Repair

No

Dimensions Drawings

Dimensions



Mounting and Clearance

Mounting Adapter for Panel

